



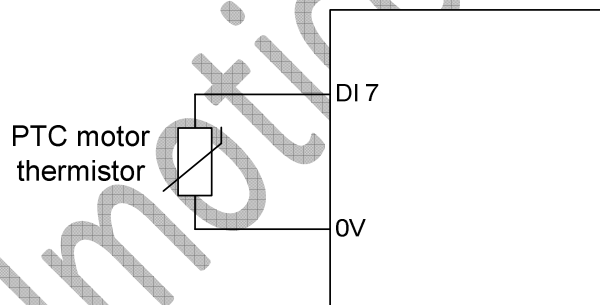
www.imoticondrives.co.uk

Document number	Imoticon-ID700-016
Revision	0.0
Author	Gareth Lloyd
Product	Imoticon ID700
Title	Imoticon ID700 Set up when using a motor thermistor
Summary	This document gives information on settings up the Imoticon ID700 when using a motor thermistor

NOTE: Please read this document in conjunction with the Imoticon ID700 Easy Start Guide and ID700 Advanced User Guide.

A PTC motor thermistor can be connected to the Imoticon ID700 to help protect the motor from over heating.

The PTC motor thermistor should be connected as the diagram below:



The following parameters must be set to enable the PTC motor thermistor:

Set **P00.23 = 1** – Advanced parameter access

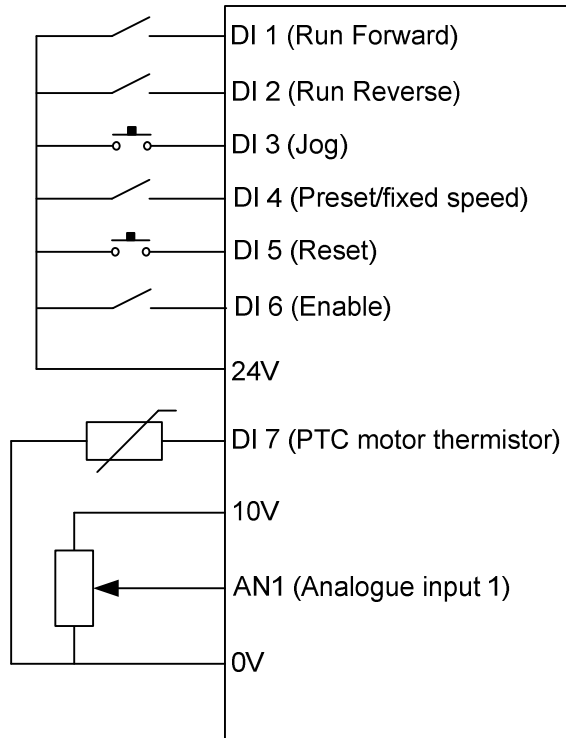
Set **P09.24 = 1** – Enable terminal DI 7 as a PTC motor thermistor input

- When the PTC thermistors resistance increases to 3kΩ, the drive will trip on F011.
- When the PTC thermistors resistances decreases to 1.8KΩ, the trip can be reset.

NOTE: This function can only be used when **P09.21 = 1 (positive logic)**

As DI 7 was set up as a RESET input as default, if a reset input is still required, DI 5 can be used as this input is not assigned as default:

Set **P09.06 = 11** – terminal DI 5 as a reset



Imoticon Drives Ltd