



www.imoticondrives.co.uk

Document number	Imoticon-ID700-026
Revision	0.0
Author	Gareth Lloyd
Product	Imoticon ID700
Title	
	Imoticon ID700 Negative Logic
Summary	
	This document gives information on how to set up the Imoticon ID700 for Negative Logic Digital Inputs

NOTE: Please read this document in conjunction with the Imoticon ID700 Easy Start Guide and Imoticon ID700 Advanced User Manual.

Overview

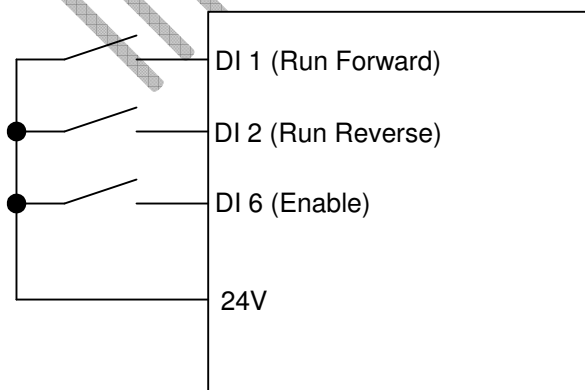
This document gives information on setting the Imoticon ID700 up for negative logic digital inputs.

As default, the Imoticon ID700 is set up for positive logic. This means that the make a digital input active, it must be pulled up to 24V.

Example

In the following example, when the switches are closed, the digital inputs are connected to 24V and this activates the terminal and its associated function.

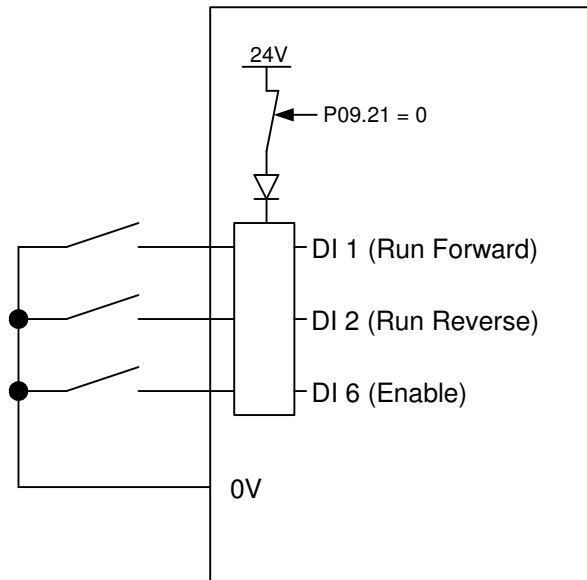
P09.21 = 1 (Positive logic)



Negative Logic

In the following example, the digital inputs are internally connected to 24V. When the switches are closed, the digital inputs are connected to 0V and this activates the terminal and its associated function.

P09.21 = 0 (Negative logic)



More information on Positive and Negative logic connections can be found in the Imoticon Advanced User Manual under parameter P09.21.